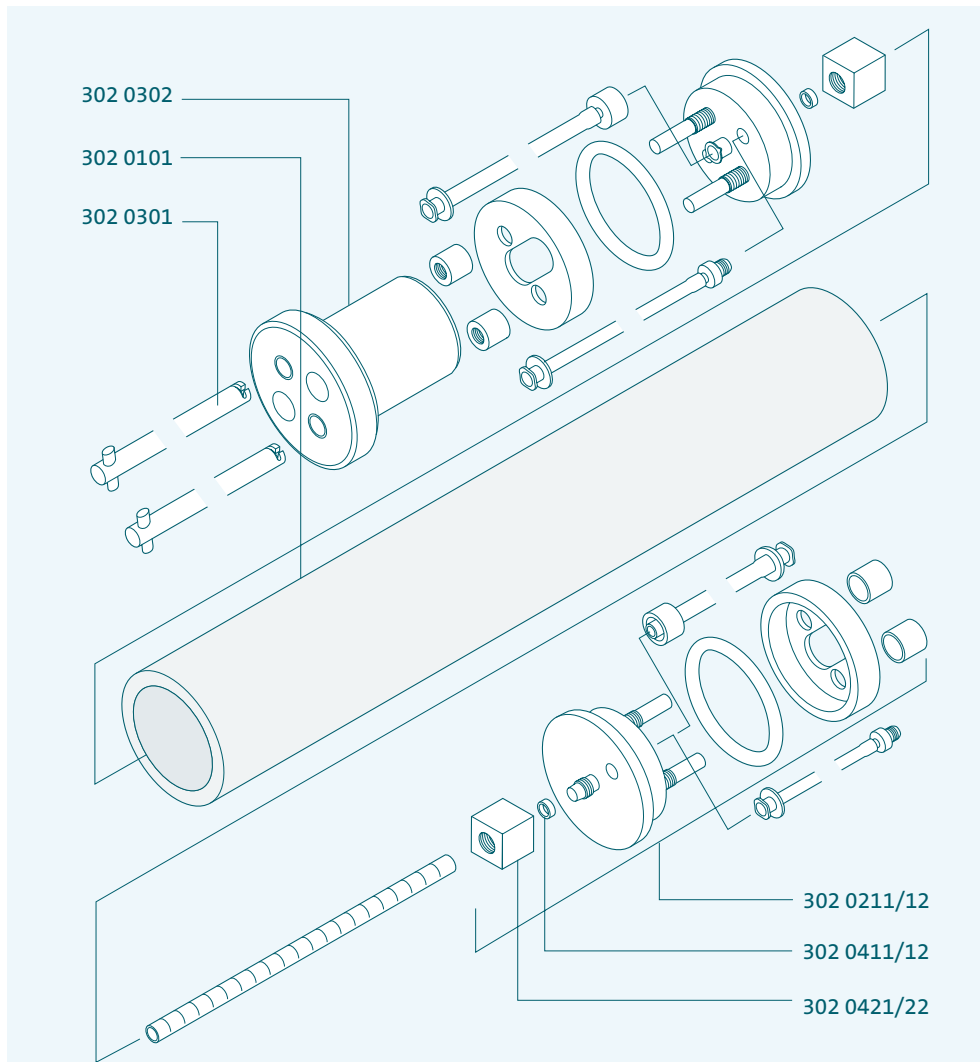
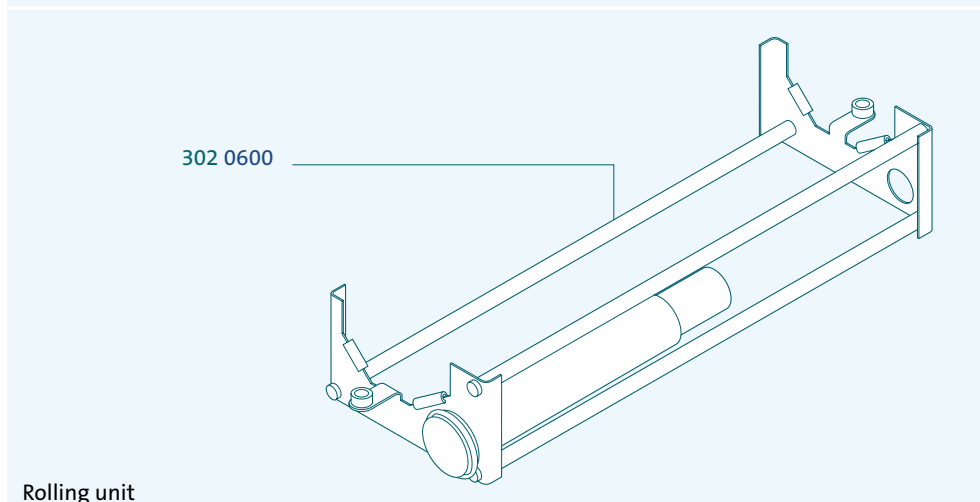


tube chamber system TCS^{2c}



Tube chamber



Rolling unit

